



SANTS سانس جروب GROUP

BRINGING YOUR DREAMS TO REALITY

Light up the world

📍 Cairo, EGYPT. 3 Abou Tamam st., Hadayak El Kobba. (+2) 02 233 023 99 (+2) 01 22 22 00 787
📍 Shenzhen, CHINA. 1709B Saige st., Hua Qiang Bel, Futian District.
📍 Kowloon, Hong Kong. 5/f Hang Pont Commercial Building ., 31 Tonkin st., Cheung Sha Wan.
📍 Vietnam : 0084-1688370651 📍 Malaysia : (+6)13416407902 📍 Kuwait : (+9)6560617291 📍 Sudan : (+2)49910745498
🌐 www.santsgroup.com ✉ info@santsgroup.com



- 1 Energy saving: LED lights are more energy saving than the CFL and the incandescent lamp. 50% energy-saving than the energy saving lamp. 80% energy-saving than the incandescent lamp
2. Long life-span : up to 50000 hours. 10 times compare with energy saving lamp .60 times compare with incandescent lamp.
3. High brightness: 1w led=2w energy saving lamp=8w incandescent lamp
4. Environment friendly: Not contain Pb and Hg ,no pollution ,green lighting
5. No radiation: There is no buzzing noise and UV radiation during use. Provide us a quite safe environment
6. NO flickering : Working with no flickering will protect your eyes better and comfortable



LED Lighting



Specification

Body Materials	1/3 Aluminum + 2/3 Plastic
Type	LED Tube
Brand	E-fly lighting
Watt (W)	18



Voltage	AC100-277V 50 /60Hz
Lumens (lm)	1800
Color Temperature(CCT)	Neutral White
CCT (K)	4000
CRI (Ra)	80
PF	0.9
View angle (掬)	130
Dimmable	NO
LED Chip Brand	Epistar
Base	G13(single-ended)
IP rate	IP20
Product Size(mm)	Φ26*L1200
Lifetime (Hrs)	50000



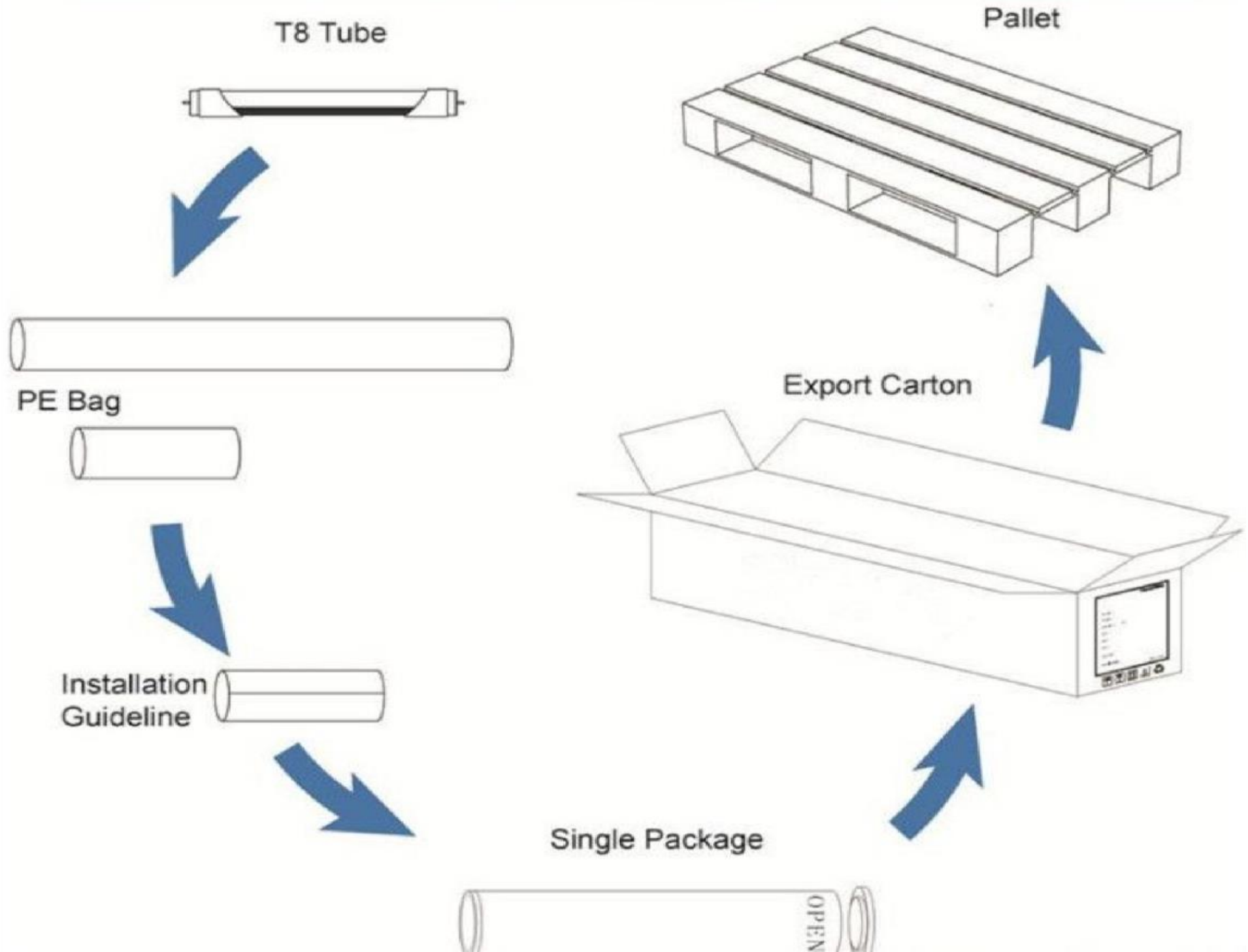
Packing

Quantity: 1 Lot (20 Pieces / lot)

Package Size: 1230*190*160mm

Gross Weight/Package: 8.5(kg)

Packaging

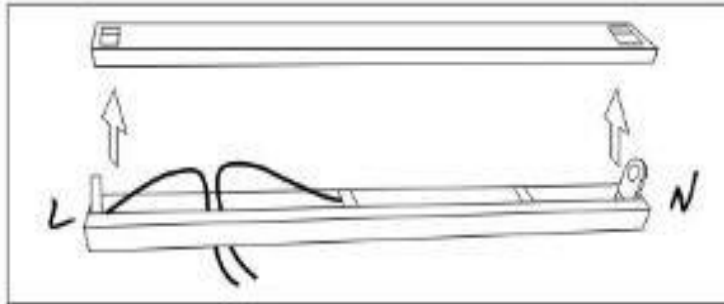




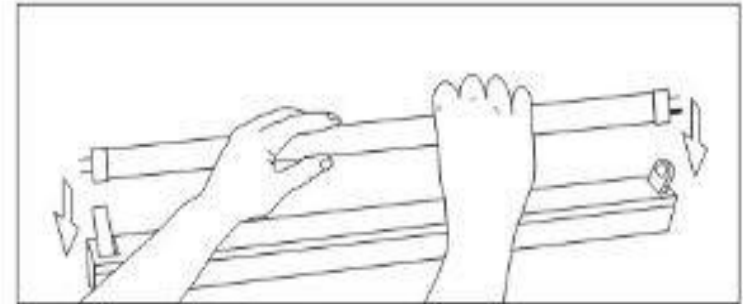
Tube Install Instruction

Wire drawing 1:

Connect to the power directly



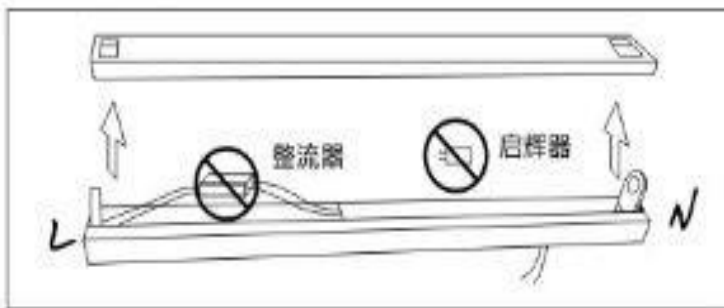
Install LED tube



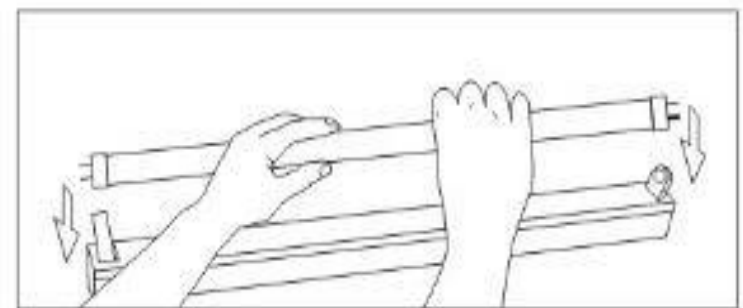
⚠ Warning: All operation must be done by certificated electrician

Wire drawing 2:

Removing starter and ballast



Install LED tube



⚠ Warning1: Prohibition to install LED tube before removing starter and ballast, it will result in damage of LED tube.



SANTS سانس جروب GROUP
BRINGING YOUR DREAMS TO REALITY



LED Tube Lamp

T8 Tubes 90-260V AC 50-60Hz

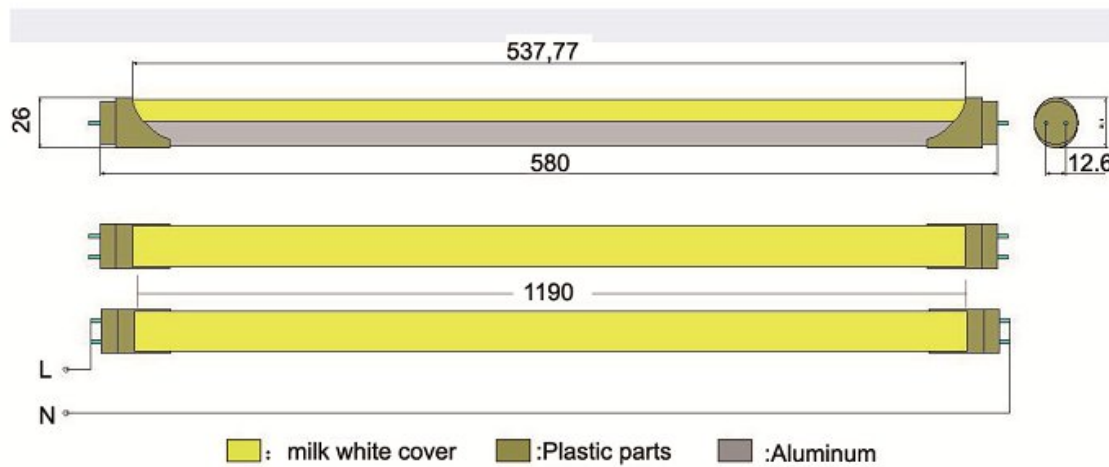


W	MTR	Lm	CCT	Ra	Size	EQV
9W	PC+Aluminum	1070lm	2700-6500K	>80	588mm	T8-20W
20W	PC+Aluminum	2140lm	2700-6500K	>80	1198mm	T8-40W
23W	PC+Aluminum	2460lm	2700-6500K	>80	1498mm	T8-54W
9W	PC	1070lm	2700-6500K	>80	600mm	T8-20W
18W	PC	2140lm	2700-6500K	>80	1200mm	T8-40W
22W	PC	2460lm	2700-6500K	>80	1500mm	T8-54W

Strong Point

LED T8 Series have begun to replace conventional fluorescent for its high optical efficiency but low energy consumption.

T8 LED is mercury and lead free and made from selected eco-friendly materials.



Luminous Intensity Distribution Curve

